



CONTEMPORANEO

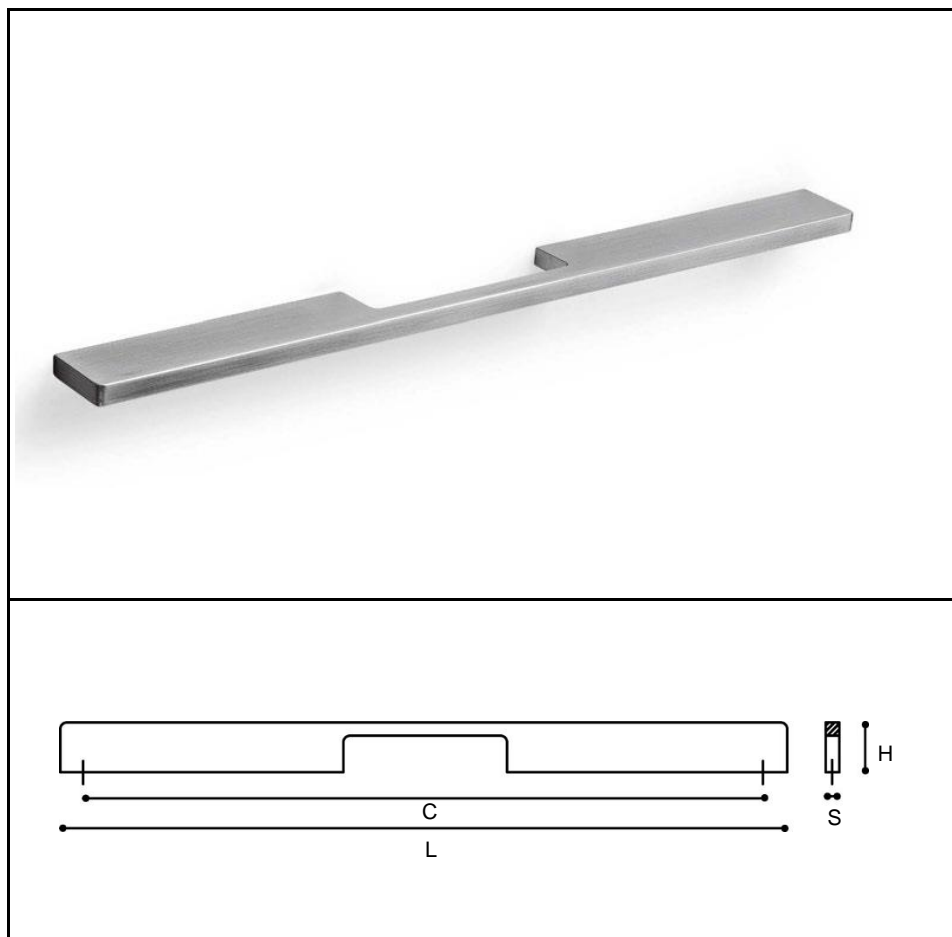
CONTEMPORARY

MANIGLIE PONTE MODULARE

MODULAR BRIDGE HANDLES

M O D E L
388

MAT.: ALLUMINIO /
ALUMINIUM



Code	Width (L)	Holes Gap (C)	Height (H)	Depth (S)
388	190	160	30	8
	350	320	30	8
	670	640	30	8
	830	800	30	8