



CONTEMPORANEO

CONTEMPORARY

MANIGLIE PONTE

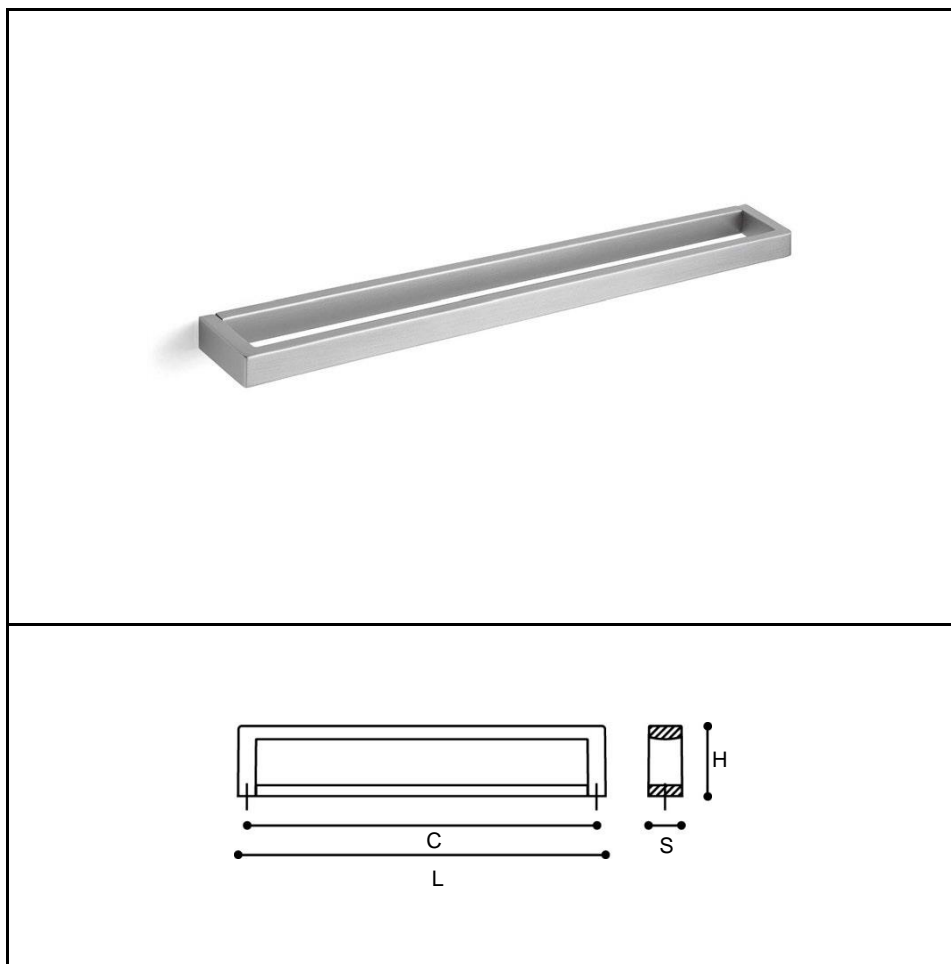
BRIDGE HANDLES

MODEL
12780

12781

12782

MAT.: ZINKRAL



Code	Width (L)	Holes Gap (C)	Height (H)	Depth (S)	Weight (gr.)
12780.B	104	96	32	15	137
12781.G	168	160	32	15	206
12782.N	328	320	32	15	289