



# CONTEMPORANEO

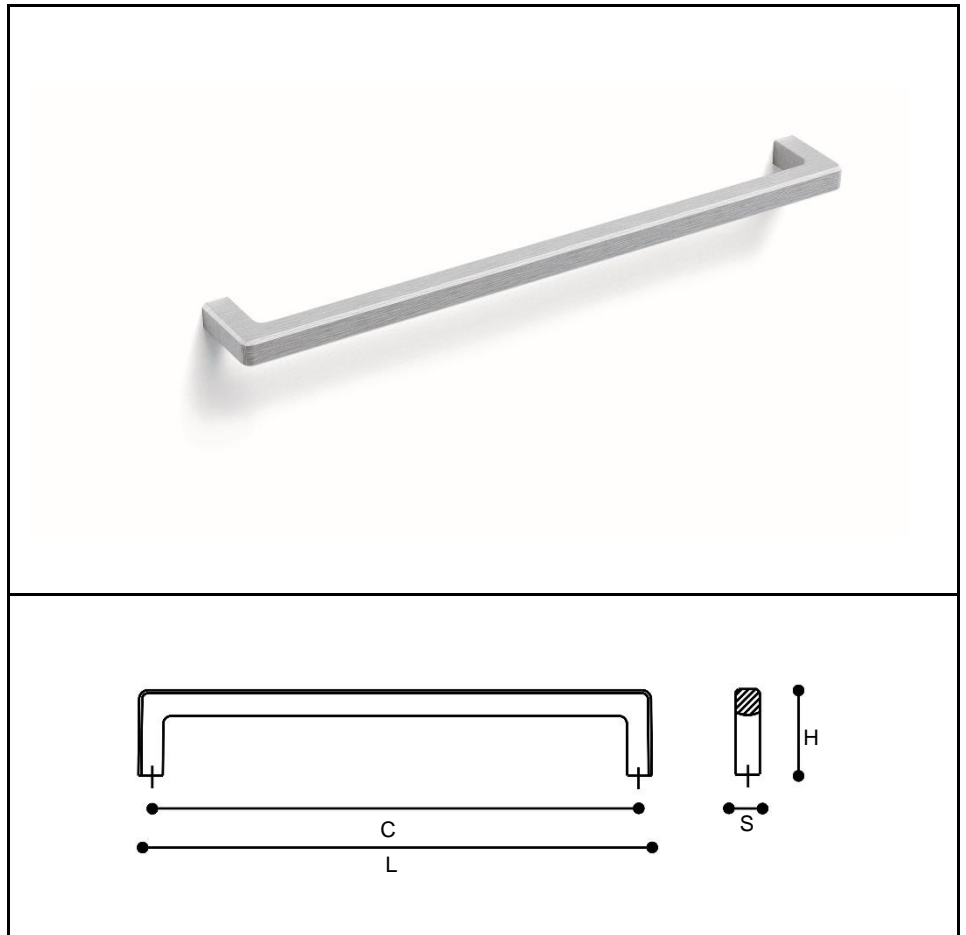
CONTEMPORARY

## MANIGLIE PONTE

BRIDGE HANDLES

MODEL  
**12861**

MAT.: ZINKRAL



Code	Width (L)	Holes Gap (C)	Height (H)	Depth (S)	Weight (gr.)
<b>12861.B</b>	104	96	28	8	60
<b>12861.G</b>	168	160	28	8	85
<b>12861.H</b>	200	192	28	8	100
<b>12861.N</b>	328	320	28	8	155