



CONTEMPORANEO

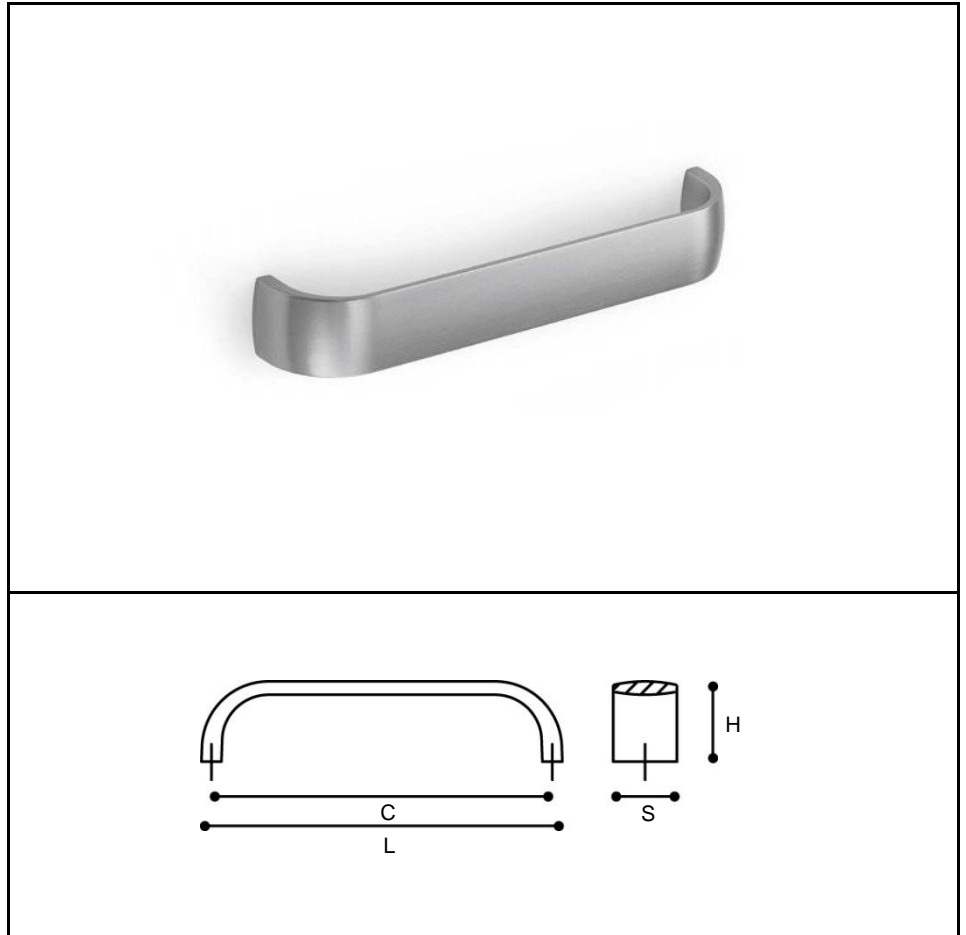
CONTEMPORARY

MANIGLIE PONTE

BRIDGE HANDLES

MODEL
12657

MAT.: ZINKRAL



Code	Width (L)	Holes Gap (C)	Height (H)	Depth (S)	Weight (gr.)
12657.A	136	128	30	24	124
12657.G	168	160	30	26	170